


Bau: Schallung:

 **Bestellung**  **Offerte** Datum _____

Kommission / Objekt _____

Kunden-Nr. _____ Zuständig _____

Firma / Name, Vorname _____

Strasse, Nr. _____ Postfach _____

Zusatz _____ PLZ / Ort _____

Telefon _____ E-Mail _____

Lieferadresse abweichend



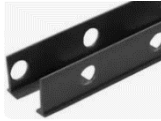
Firma / Name, Vorname _____


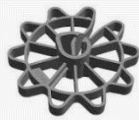

Strasse, Nr. _____ Postfach _____



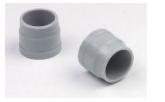

Zusatz _____ PLZ / Ort _____

Lieferart _____ Liefertermin _____

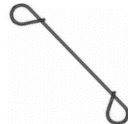
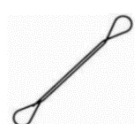

Offerttermin _____

| Prontoschal | | | Drunterleisten Protifix 2m Länge | | | | Drunterleisten ohne Aussparung 2m Länge | | | | |
|---|-------|-------|---|---------------------|------|---------|---|---------------------|------|---------|--|
|  | Länge | Pack. |  | Höhe | Bund | Palette |  | Höhe | Bund | Palette | |
| | 15 cm | | | 20 | | | | 20 | | | |
| | 18 cm | | | 25 | | | | 25 | | | |
| | 20 cm | | | 30 | | | | 30 | | | |
| | 22 cm | | | 35 | | | | 40 | | | |
| | 25 cm | | | 40 | | | | 50 | | | |
| | 30 cm | | | 50 | | | | 20-30 1 Bund = 100m | | | |
| | 40 cm | | | 20-30 1 Bund = 100m | | | | 35-50 1 Bund = 60m | | | |
| | 50 cm | | | 35-50 1 Bund = 60m | | | | | | | |

| Betonklötzli | | | Abstandhalter Dinki | | | Abschallungshülse | |
|---|--------|------|---|---------------|----------------|---|------------------|
|  | Grösse | Sack |  | Grösse | Sack à 500Stk. |  | Menge à 100 Stk. |
| | 20 | | | D=25mm / 6-12 | | | |
| | 25 | | | D=30mm / 6-12 | | | |
| | 30 | | | | | | |
| | 40 | | | | | | |
| 50 | | | | | | | |

| Verschlüsse: | | | | | |
|---|--------------------------|------------|---|---------------------------------|-------------|
|  | Flupp Zapfen D= 22 mm | Sack à 500 |  | Verschlusszapfen PZ D= 22 mm | Sack à 1000 |
|  | Opti Zapfen D= 22mm | Sack à 500 |  | Opti Konen D= 22 mm | Sack à 500 |

| Mauerstärke OPTI D=22mm | | | Distanzrohr geschnitten mit Kappe D=22mm | | | Flach Stift Blank | | |
|---|-------|------------|---|-------|------------|---|-------------------|-------|
|  | Länge | Sack à 100 |  | Länge | Sack à 100 |  | Grösse | Menge |
| | 15 cm | | | 15 cm | | | 1.4 x30 500g | |
| | 18 cm | | | 18 cm | | | 1.6 x 30 1Kg | |
| | 20 cm | | | 20 cm | | | 2.5x 60 2.5 Kg | |
| | 25 cm | | | 25 cm | | | 2.8 x 70 2.5Kg | |
| | 30 cm | | | 30 cm | | | | |
| | 35 cm | | | 35 cm | | | | |

| Eisenbinder | | | | | Eisenbinder Profi | | | | Eisenbinder Chromstahl | | | |
|---|-------|------|------|------|---|-------|------|-------|---|-------|------|------|
|  | Länge | Bund | Sack | Pal. |  | Länge | Pack | Pal. |  | Länge | Bund | Sack |
| | 10 cm | | | | | 10 cm | | | | 10 cm | | |
| | 12 cm | | | | | 12 cm | | | | 12 cm | | |
| | 14 cm | | | | | 14 cm | | | | 14 cm | | |
| | 16 cm | | | | | 16 cm | | | | 16 cm | | |
| | 18 cm | | | | | | | | | 18 cm | | |
| | 20 cm | | | | | | | 20 cm | | | | |
| | 22 cm | | | | | | | | | | | |
| | 26 cm | | | | | | | | | | | |
| | 28 cm | | | | | | | | | | | |
| | 30 cm | | | | | | | | | | | |

Beilagen / Skizzen



Ja



Nein

Bemerkungen / Hinweise
